



US007131561B2

(12) **United States Patent**  
**Humes**

(10) **Patent No.:** **US 7,131,561 B2**  
(45) **Date of Patent:** **Nov. 7, 2006**

- (54) **CONFORMABLE BOAT RACK**
- (75) Inventor: **Daniel M. Humes**, Trinidad, CA (US)
- (73) Assignee: **Yakima Products, Inc.**, Beaverton, OR (US)
- (\*) Notice: Subject to any disclaimer, the term of this patent is extended or adjusted under 35 U.S.C. 154(b) by 493 days.

(21) Appl. No.: **10/053,209**  
(22) Filed: **Jan. 16, 2002**

(65) **Prior Publication Data**  
US 2002/0125283 A1 Sep. 12, 2002

**Related U.S. Application Data**  
(60) Provisional application No. 60/262,053, filed on Jan. 16, 2001.

- (51) **Int. Cl.**  
**B60R 9/00** (2006.01)
  - (52) **U.S. Cl.** ..... **224/319**; 188/32; 224/310; 224/325; 224/324; 410/50
  - (58) **Field of Classification Search** ..... 224/319, 224/404, 405, 309, 316, 321, 727, 324, 567, 224/570, 572, 50, 571, 327, 318, 310, 325; 248/560, 580, 603, 611, 610, 613, 632, 634; 188/32
- See application file for complete search history.

- (56) **References Cited**
- U.S. PATENT DOCUMENTS
- |               |         |                |        |
|---------------|---------|----------------|--------|
| 1,789,458 A * | 1/1931  | Bureau         | 188/32 |
| 2,248,170 A   | 7/1941  | Hansen         |        |
| 2,302,300 A   | 11/1942 | Davies         |        |
| 2,536,797 A   | 1/1951  | Cooke          |        |
| 2,551,218 A * | 5/1951  | Menne          | 188/32 |
| 2,723,005 A * | 11/1955 | Wink           | 188/32 |
| 2,988,253 A   | 6/1961  | Menghi         |        |
| 3,001,679 A   | 9/1961  | Canning et al. |        |

3,005,213 A *	10/1961	Brown et al.	297/452.52
3,113,642 A *	12/1963	Lay	188/32
3,190,587 A *	6/1965	Fries	244/106
3,276,085 A	10/1966	Spranger	
3,737,083 A	6/1973	Lund	
3,946,917 A *	3/1976	Crawford et al.	224/317
3,993,167 A *	11/1976	Reed	188/32
4,022,362 A	5/1977	Revercomb	
4,023,761 A	5/1977	Molis	
4,326,655 A	4/1982	Gradek et al.	
4,350,380 A	9/1982	Williams	
4,751,891 A *	6/1988	Wilson	114/219
4,817,838 A	4/1989	Kamaya	
4,830,249 A *	5/1989	Mirenda et al.	224/310
4,848,794 A	7/1989	Mader et al.	
4,895,096 A *	1/1990	Goodwin et al.	114/381
4,961,524 A	10/1990	Hunts	
5,118,020 A	6/1992	Piretti	

(Continued)

**FOREIGN PATENT DOCUMENTS**

DE 4229268 3/1994

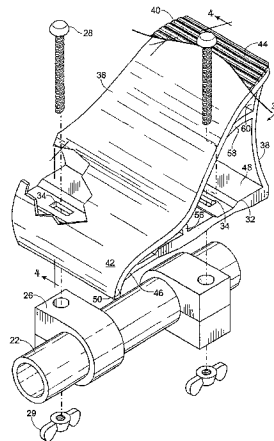
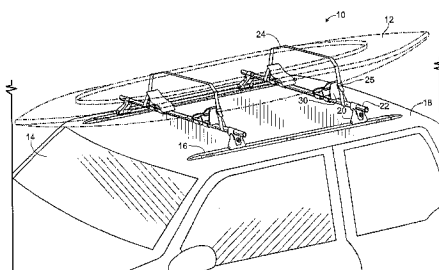
(Continued)

*Primary Examiner*—Tri M. Mai  
(74) *Attorney, Agent, or Firm*—Kolisch Hartwell, P.C.

(57) **ABSTRACT**

A boat rack apparatus for carrying a boat on a vehicle roof rack includes a plurality of conformable support members. Each support member has an expanse that contacts a boat hull. The expanse is supported by a rib arrangement, including a spring rib and a load rib. The spring rib underlies a flexible portion of the expanse. The load rib provides vertical support to the expanse. The support member adapts to different boat hull shapes.

**4 Claims, 4 Drawing Sheets**



# US 7,131,561 B2

Page 2

## U.S. PATENT DOCUMENTS

5,123,147 A 6/1992 Blair  
5,131,669 A \* 7/1992 Kinnamon et al. .... 280/33.992  
5,388,938 A 2/1995 Helton  
5,416,957 A 5/1995 Renzi, Sr. et al.  
5,442,840 A 8/1995 Ewald  
5,516,017 A 5/1996 Arvidsson  
5,535,930 A \* 7/1996 Lee ..... 224/321  
5,582,044 A 12/1996 Bolich  
5,617,617 A 4/1997 Gustin  
5,647,522 A 7/1997 Routh  
D386,145 S \* 11/1997 Staller ..... D12/412  
5,738,258 A 4/1998 Farrow et al.

5,769,291 A \* 6/1998 Chasan ..... 224/324  
5,775,557 A 7/1998 Arvidsson  
5,810,226 A \* 9/1998 Lee ..... 224/321  
6,164,507 A \* 12/2000 Dean et al. .... 224/324  
6,189,868 B1 \* 2/2001 Santelli, Jr. .... 256/25

## FOREIGN PATENT DOCUMENTS

FR 1.400.231 4/1965  
FR 2 519 305 7/1983  
FR 2624808 12/1987  
GB 2257463 1/1993

\* cited by examiner

Fig. 1

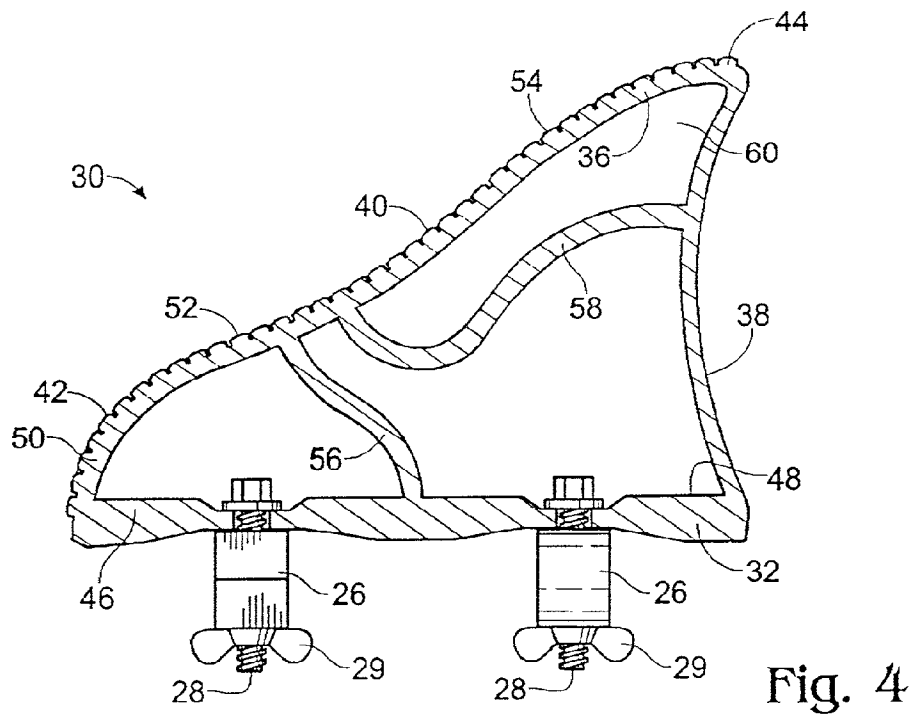
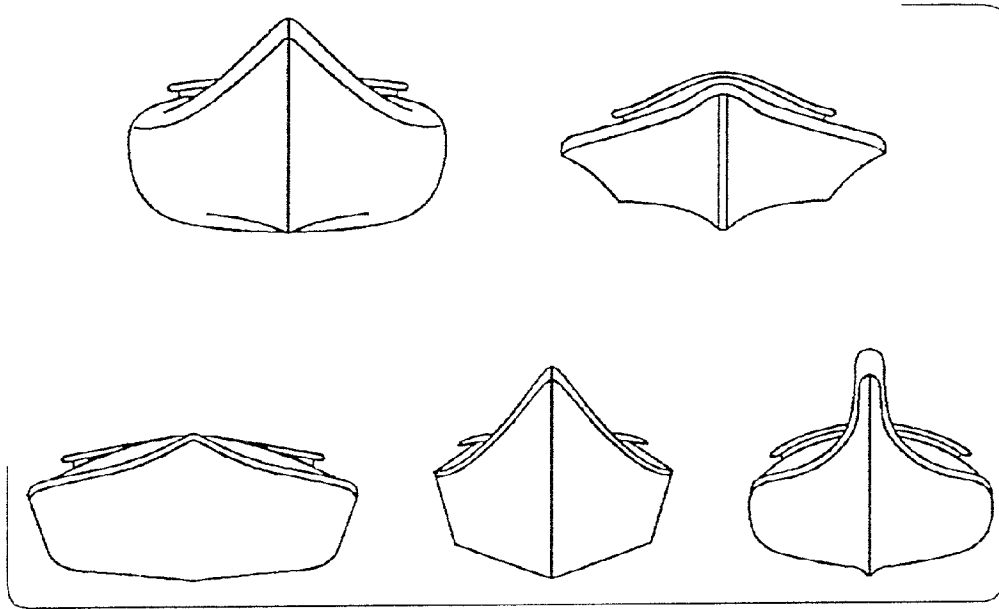


Fig. 4

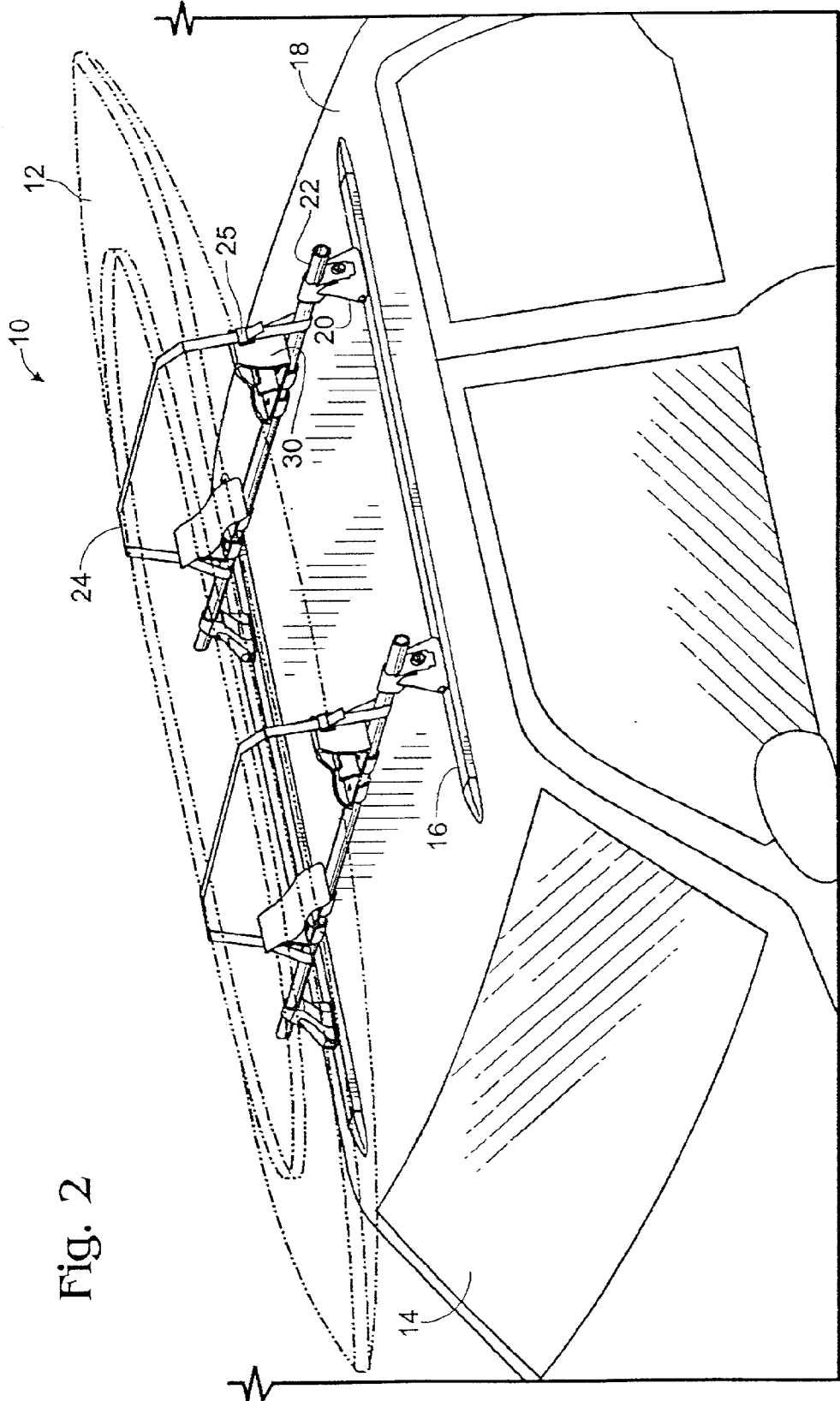


Fig. 2

Fig. 3

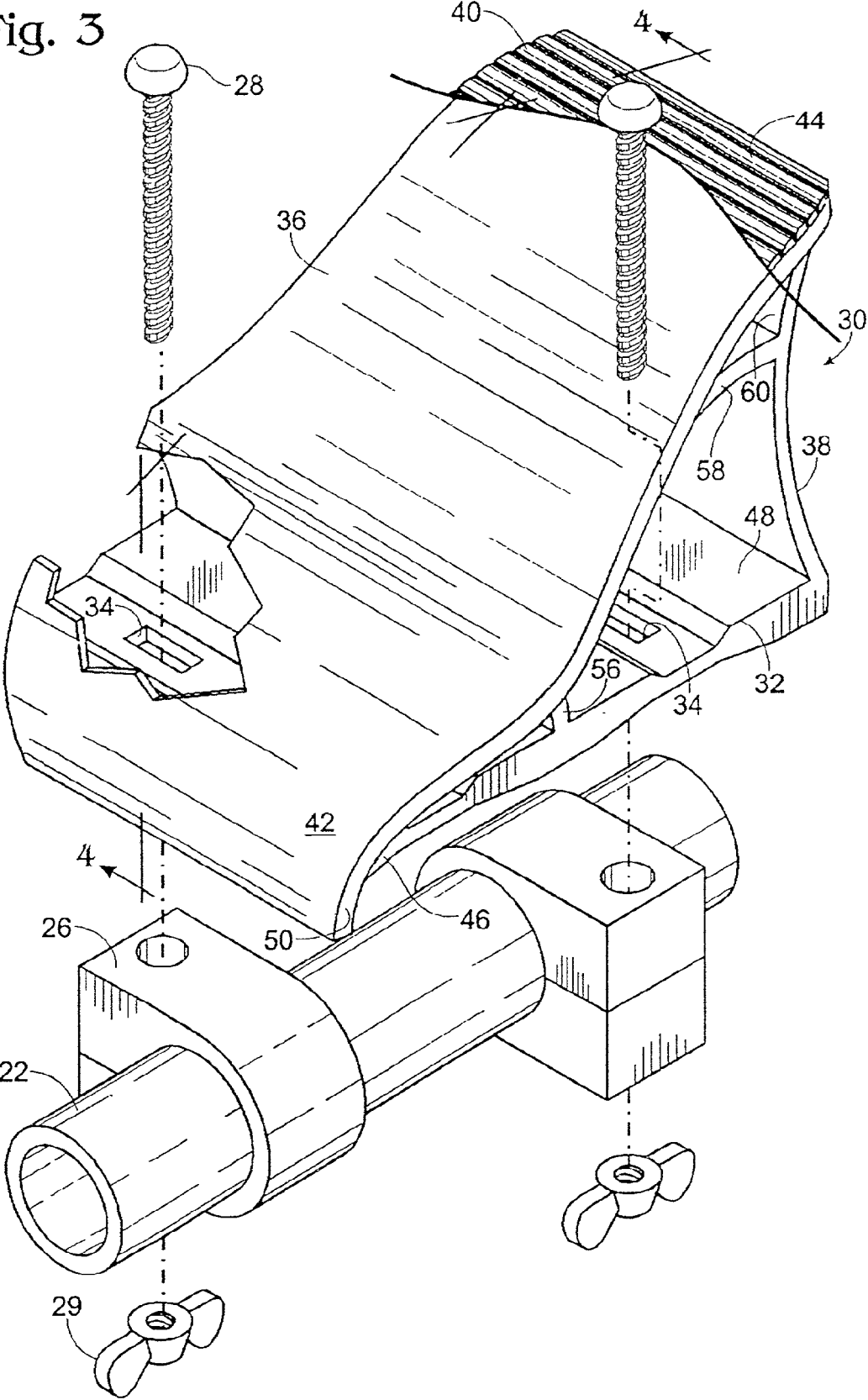


Fig. 5

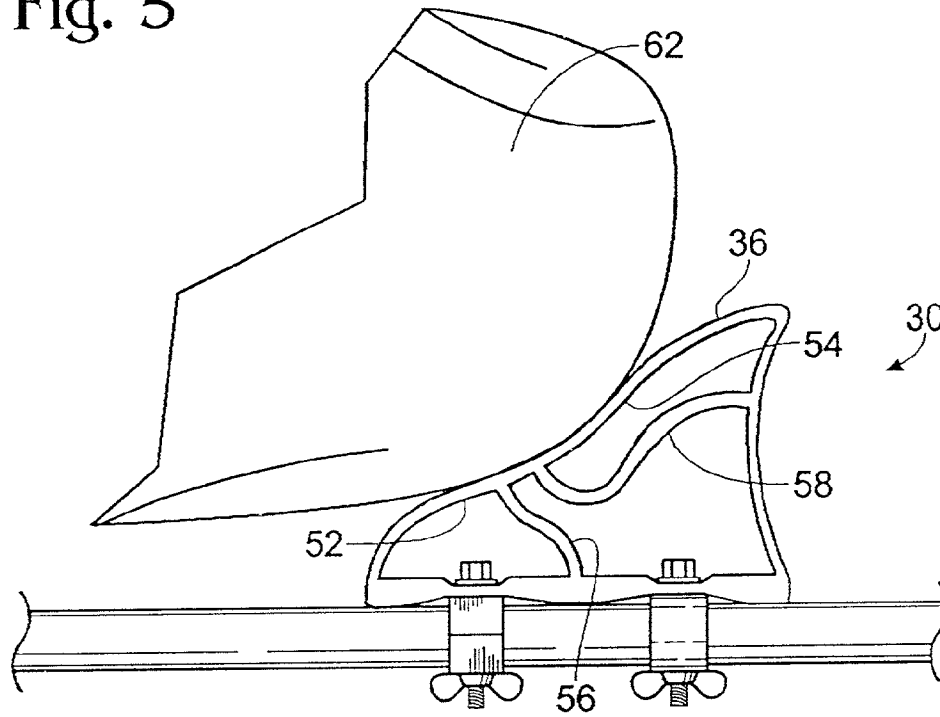
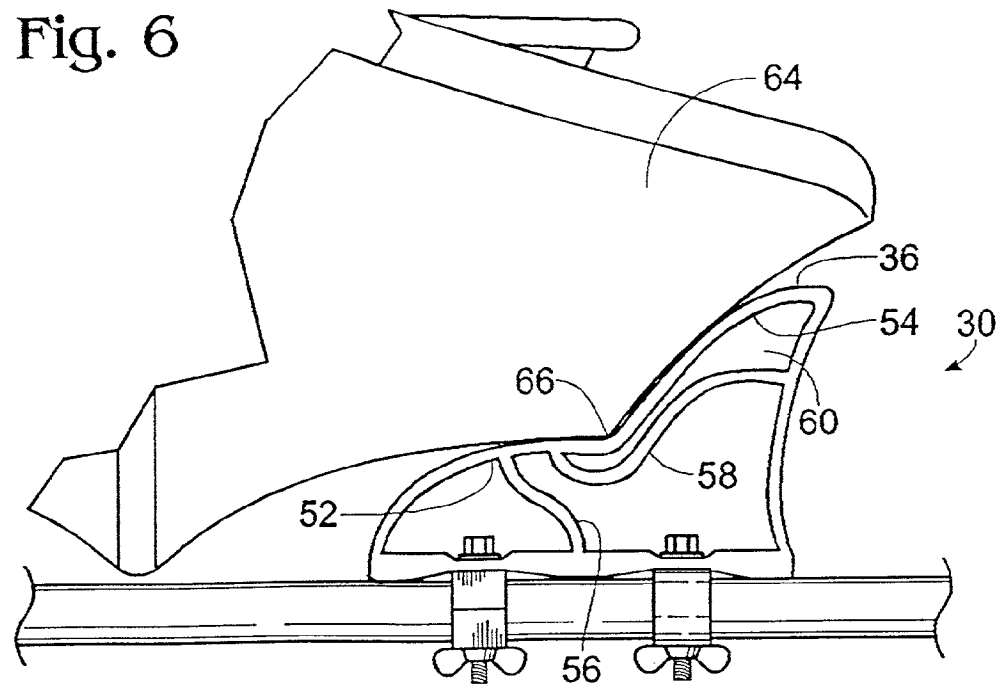


Fig. 6



1

**CONFORMABLE BOAT RACK**CROSS-REFERENCE TO RELATED  
APPLICATIONS

This application is based upon and claims benefit under 35 U.S.C. § 119 from the following U.S. Provisional Patent Application, which is incorporated herein by reference: Ser. No. 60/262,053, filed Jan. 16, 2001.

## FIELD OF THE INVENTION

The invention relates to vehicle racks and more particularly to vehicle racks for carrying a boat. In particular, the invention relates to a vehicle rack support device that conforms to the shape of a boat hull.

## BACKGROUND OF THE INVENTION

Popularity for small boats and related sports has increased in recent years. New innovations in boat materials and hull designs have made sports such as kayaking and canoeing more accessible to a wide range of enthusiasts from the novice to the experienced outdoorsmen. Small boats are now commonly used for recreation in rivers, lakes, and oceans.

As more people become involved in small boating sports, there has been an increased demand for boat transport devices. Boats are often too big to fit inside a vehicle. Trailers may be cumbersome or unusable on some automobiles, particularly if a sportsman wishes to transport the boat over rough terrain. Therefore, vehicle roof racks have become the frequently preferred transport device for carrying small boats.

Accessories for conventional vehicle racks are available for transporting boats. For example, an accessory may use a cradle type berth to support a boat hull. However, a problem with cradle type racks is that they may be unsatisfactory for some hull shapes. Boat hulls come in different shapes. FIG. 1 shows examples of different boat hull profiles. Some hulls are wider, while others are narrower. Some are rounded while others have one or more distinct angles. These differences in hull shape create difficulties with a one design fits all boat accessory. Prior boat racks typically work well for one boat design and not so well for other designs because they do not provide adequate capacity to adjust and conform to different hull profiles.

If the hull does not adequately fit the cradle due to hull shape or inclination of the hull sides, the craft may roll back and forth on the hull as it is transported. This can put undue strain on the hull. An unsatisfactory solution has been to place towels or other types of padding between the rack and the boat hull, to prevent the boat from slipping and also providing extra support along the hull. However, suitable padding material may not be available or may not adequately support the boat.

An objective of the invention is to provide a boat rack design that is adaptable to different boat hull shapes, while also being simple to manufacture, rugged and substantially weatherproof.

## SUMMARY

The invention provides a boat rack apparatus for carrying a boat on a vehicle roof rack. The rack employs a conformable support member having an expanse that contacts a boat hull. The expanse is supported by a rib arrangement. In a preferred embodiment, a base is configured to attach to a

2

vehicle rack. A resilient expanse extends upward from the base portion. A spring rib supports the expanse providing flexibility to an upper mid-portion of the expanse so that the expanse may compress according to the shape of a particular boat hull. The expanse may also be supported by a load rib so that a lower portion of the expanse is at least partially stiffened in comparison to the upper portion of the expanse.

## BRIEF DESCRIPTION OF THE FIGURES

FIG. 1 shows a series of front views of different boat hulls.

FIG. 2 is a perspective view of a boat rack mounted on an automobile according to a preferred embodiment of the invention.

FIG. 3 is a partially fragmented isometric view of a support member for carrying a boat according to an embodiment of the invention.

FIG. 4 is a cross-sectional view of the support member shown in FIG. 3.

FIGS. 5 and 6 are partial side views of a support member conforming to different boat hull profiles.

## DETAILED DESCRIPTION

Boat hulls for small watercraft may have significantly different hull shapes. FIG. 1 shows examples of different hull shapes. The hulls not only vary in width and height, but also vary in roundness and actual angular shape. The invention provides conformability to a boat rack so that any one of the hulls shown in FIG. 1, as well as other hull shapes, may be safely secured to and transported on a vehicle rack.

A boat rack for carrying boats or other small watercraft is shown generally at **10** in FIG. 2. Boat rack **10** supports boat **12** on vehicle **14**. Boat rack **10** may be attached to a factory rack system **16** on vehicle roof **18** as shown in FIG. 2. Alternatively, the rack may be attached to rain gutters or other parts of a vehicle, or may be placed in the bed of a pick up truck, or on a trailer.

As shown in FIG. 2, towers **20** are configured to be mounted on either side of roof **18** of vehicle **14**. Towers **20** are positioned in opposing pairs so that a first tower is mounted on one side of vehicle roof **18** and an opposing second tower is mounted on the opposite side of vehicle roof **18**. Substantially cylindrical elongate crossbars **22** are attached to each opposing pair of towers and extend laterally across the vehicle roof.

A wide variety of accessories or attachments have been developed for the rack system shown in FIG. 2. These accessories are generally secured to the crossbar using a variety of fastening devices. By using different rack accessories, it is possible to carry a wide assortment of large items, including, but not limited to, bicycles, boats, skis, and snowboards, on a vehicle using the same basic tower and crossbar assembly.

The rack system, as shown in FIG. 2, is configured to carry a boat. Two pairs of attachments or support members **30** are attached to crossbars **22**. Attachments **30** are positioned on each crossbar facing each other so that a berth is formed to cradle a boat. The boat hull rests on attachments **30**. Boat **12** may be further secured to the rack by fastening strap **24**. Fastening strap **24** may be any suitable type of webbing, or other type of fastening device that may be used to secure boat **12** to the rack. Any suitable configuration may be used. For example, in FIG. 2, a pair of straps **24**, one for each crossbar, is used to secure boat **12** to rack **10**. Strap **24** may be snapped or looped around crossbar **22** and adjusted

by tightening or loosening the strap. Buckle **25** may also be used to adjust the tension of the strap. Once strapped to the rack, boat **12** can be safely transported on vehicle **14**.

As shown in FIGS. 3 and 4, attachment **30** includes base **32** that is adapted for securing on crossbar **22**. Base **32** is substantially parallel to crossbar **22**. Base **32** is attached to crossbar **22** through one or more couplers, such as C-shaped clamps **26**. Clamps **26** are shaped to conform to the cylindrical shape of such that the clamps may slide on the crossbar **22**. The ends of the clamps are adjustable so that the clamp may be opened and secured in place on the crossbar.

As shown in FIG. 3, base **32** has slots **34** sized to receive bolts **28** for mounting of the base **32** to clamp **26**. In one embodiment, slots **34** are slightly larger than bolts **28**, such that the bolts **28** may slide within slots **34** to enable a user to adjust the position of attachment **30** in order to fully support a particular hull design. Specifically, in the above-described slot configuration, attachment **30** may be rotated to accommodate different boat shapes and widths.

The ends of clamps **26** also have corresponding holes or slots for receiving bolts **28**. Wing nuts **29** or other similar types of fastening devices may be used with bolts **28**. When wing nut **29** is tightened, ends of clamp **26** are drawn together so that the clamp tightly grips crossbar **22**. Wing nut **29** may be configured to allow hand tightening of clamp **26** against crossbar **22**.

In FIG. 3, base **32** of attachment **30** includes an arrangement of four slots **34**, which allows the use of two couplers or clamps **26** to provide maximum stability to the attachment. Wing nuts **29** are adapted to receive bolts **28**. It should be noted that other configurations, such as alternative types of couplers or fasteners or a different arrangement or number of slots, may be used to secure the attachment to the crossbar or vehicle roof.

Attachment **30** is generally wedge-shaped and typically includes a sloped face **36** and a back wall, also referred to as outer face or outer support **38**. Attachment **30** is positioned so that sloped face **36** contacts the boat hull. Outer face **38** projects upward generally perpendicular to base **32**. Outer face **38**, as shown in FIGS. 3 and 4, is slightly concave.

Sloped face **36**, also referred to as an expanse or contact surface, directly contacts and supports the boat hull. Contact surface **36** may be slightly concave such that the attachment generally follows the shape of a boat hull. Contact surface **36** may have an anti-slip surface **40**. Surface **40** may be made of a rubber or plastic material and may be textured to grip the external surface of a boat. Anti-slip surface **40** in FIGS. 3 and 4 is notched. Other surfaces that operate to increase friction between the boat and the attachment also may be used.

Contact surface **36** has first end portion **42** and second end portion **44**. Base **32** has first end portion **46** and second end portion **48**. First end portion **46** of the base is positioned closest to the center of the boat hull. Contact surface **36** is connected to base **32** via outer face **38** and inner support portion **50**. Inner support portion **50** connects base **32** to the sloped portion of contact surface **36**. Outer face **38** is configured to extend generally vertically from second end portion **44** of contact surface **36** to second end portion **48** of base **32**.

The rack attachments shown in FIGS. 3 and 4 provide a support configuration that substantially molds to the shape of a boat hull. The moldable characteristic of attachment **30** may be accomplished by providing a shell with a chambered or celled configuration. The chambers or cells do not need to be fully enclosed or separated, but rather are representative

of different response regions of the attachment. In particular, the chambers are defined as underlying both a rigid portion **52** and a flexible portion **54** of the contact surface.

As shown in FIG. 4, the rigid or stiff portion **52** of contact surface **36**, has a support or load rib **56** that operates as a brace for supporting much of the weight of the boat along with supports **38** and **50**. Load rib or first internal support **56** extends between contact surface **36** and base **32** and is interposed between outer support **38** and inner support **50** of attachment **30**. As shown, load rib **56** is attached to a central region of base **32**. Load rib **56** projects generally upward from the base and perpendicular to contact surface **36** and to the shell of a boat. In use, the portion of contact surface **36** supported by load rib **56** remains relatively stiff.

Flexible portion **54** of contact surface **36** is supported by spring rib or second internal support **58**. Spring rib **58** allows compression of contact surface **36** and is spaced apart from contact surface **36**. An associated chamber or partial chamber **60** is formed between contact surface **36** and spring rib **58**. Chamber **60** adapts and conforms when a boat hull rests on contact surface **36**. As depicted in FIG. 4, spring rib **58** is substantially parallel to contact surface **36**. Upper portion of contact surface **36** is more flexible and more accommodating than the lower portion of contact surface **54**. This flexible portion provides a moldable characteristic to the attachment where the attachment generally molds to the shape of a boat hull. Although not shown, other rib configurations are possible which may operate to provide a suitable flexible portion along contact surface **36**.

The moldable characteristic of attachment **30** is evident in FIGS. 5 and 6. In FIG. 5, round boat hull **62** is shown resting on attachment **30**. Contact surface **36** is slightly compressed along flexible portion **54** of contact surface **36** such that the concavity of the surface matches the roundness of boat hull **62**. Rigid lower portion **52** of contact surface **36** remains relatively stiff to support the weight of the boat hull and to maintain the boat hull in a secure position on the rack.

Similarly, in FIG. 6, boat hull **64** rests on attachment **30**. Boat hull **64** has a chine or crest **66** projecting outward along the side of the hull. Chine **66** is accommodated by attachment **30** by the compression of contact surface **36** along flexible portion **54**. Spring rib **58** and contact surface **36** flex altering deformable chamber **60** as hull **64** is positioned on the attachment. When boat hull **64** is removed from attachment **30**, deformable chamber **60** will return to its original shape. Primary load support of hull **64** is due to stiff portion **52** and load rib **56**. Both stiff portion **52** and load rib **56** maintain substantially the same positions in FIGS. 5 and 6.

It should be appreciated that attachment **30** as shown in the embodiments may be manufactured as a single integral unit. Attachment **30** including the ribs may be composed of high-density polyethylene, polypropylene, nylon or any other similar type of material. With construction being a single integrated unit, the attachment is easily manufactured as well as being weatherproof and rust resistant. Moreover, the chambers defined by the ribs and the shell of the attachment may be open or closed. In addition, the chambers may also be filled with a material to further the conformability aspect of the invention.

Although the invention has been disclosed in its preferred forms, the specific embodiments thereof as disclosed and illustrated herein are not to be considered in a limiting sense, because numerous variations are possible. Applicants regard the subject matter of their invention to include all novel and non-obvious combinations and subcombinations of the various elements, features, functions, and/or properties disclosed herein.

5

I claim:

1. A rack for carrying a boat comprising:  
 a pair of tower bodies, each body having a mechanism for  
 attaching the body to the top of an automobile,  
 a crossbar connected to the tower bodies, and  
 a pair of support members connected to the crossbar, each  
 support member having a base, a back wall, and a slope  
 expanse forming a wedge shape and creating an internal  
 space, the expanse having an upper portion and a  
 lower portion for contacting a boat hull, and a curved  
 load rib, extending through the internal space and  
 connecting the expanse to the base, the load rib providing  
 support to the lower portion of the expanse so

6

that the upper portion of the expanse is substantially  
 more flexible than the lower portion to accommodate  
 different hull shapes.

2. The rack of claim 1, further including a spring rib  
 extending through the internal space and connecting the  
 expanse to the back wall supporting the upper portion of the  
 expanse.

3. The rack of claim 1, wherein the base for each support  
 member is substantially parallel to the crossbar.

4. The rack of claim 1, wherein the expanse, base, back  
 wall, and rib are all formed of a single piece of material.

\* \* \* \* \*